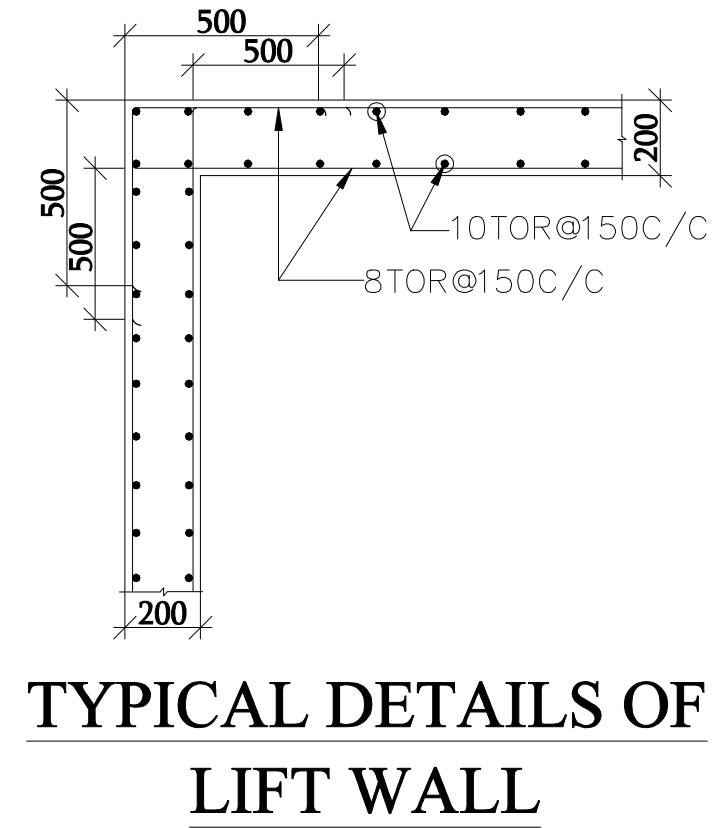
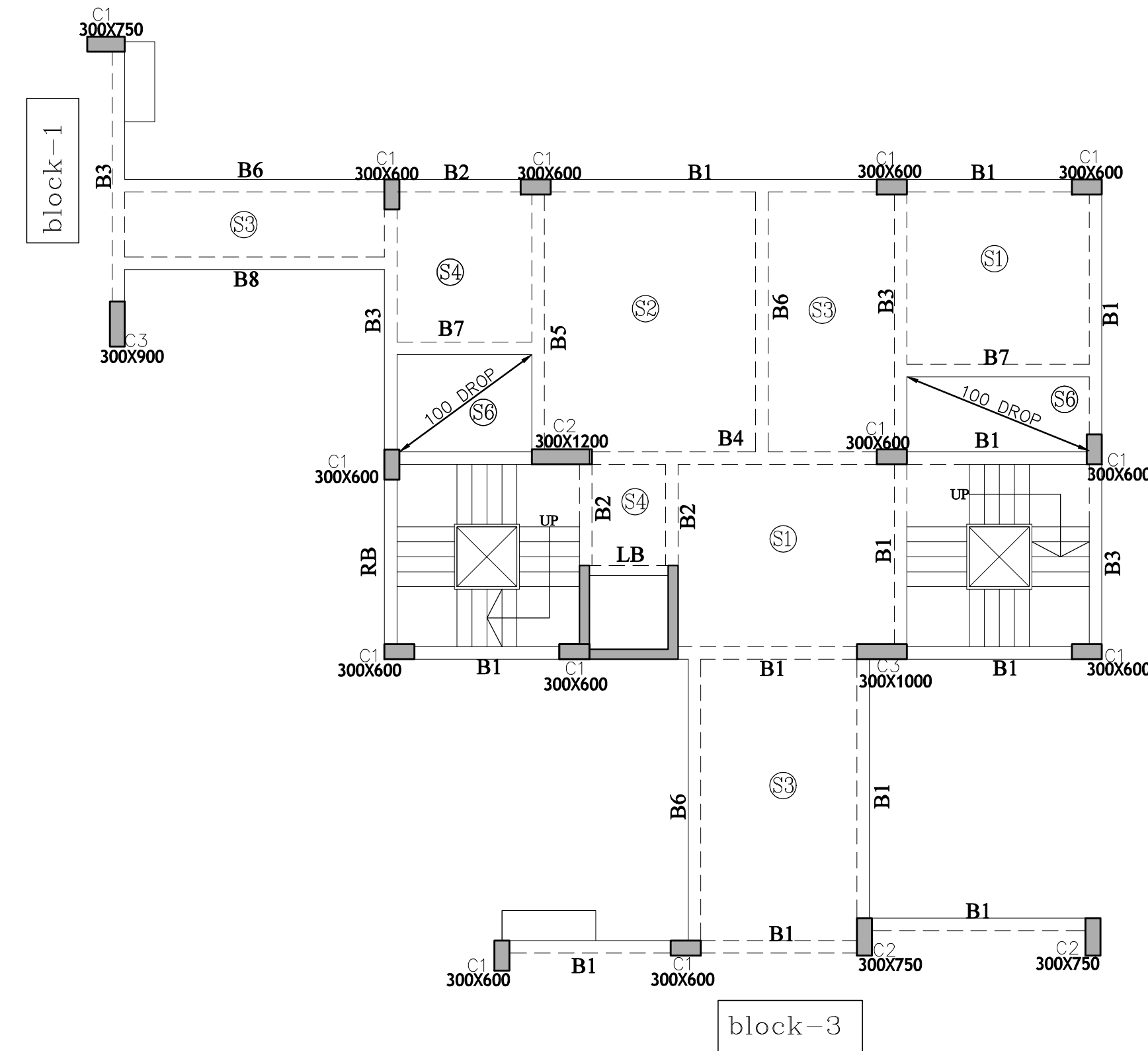


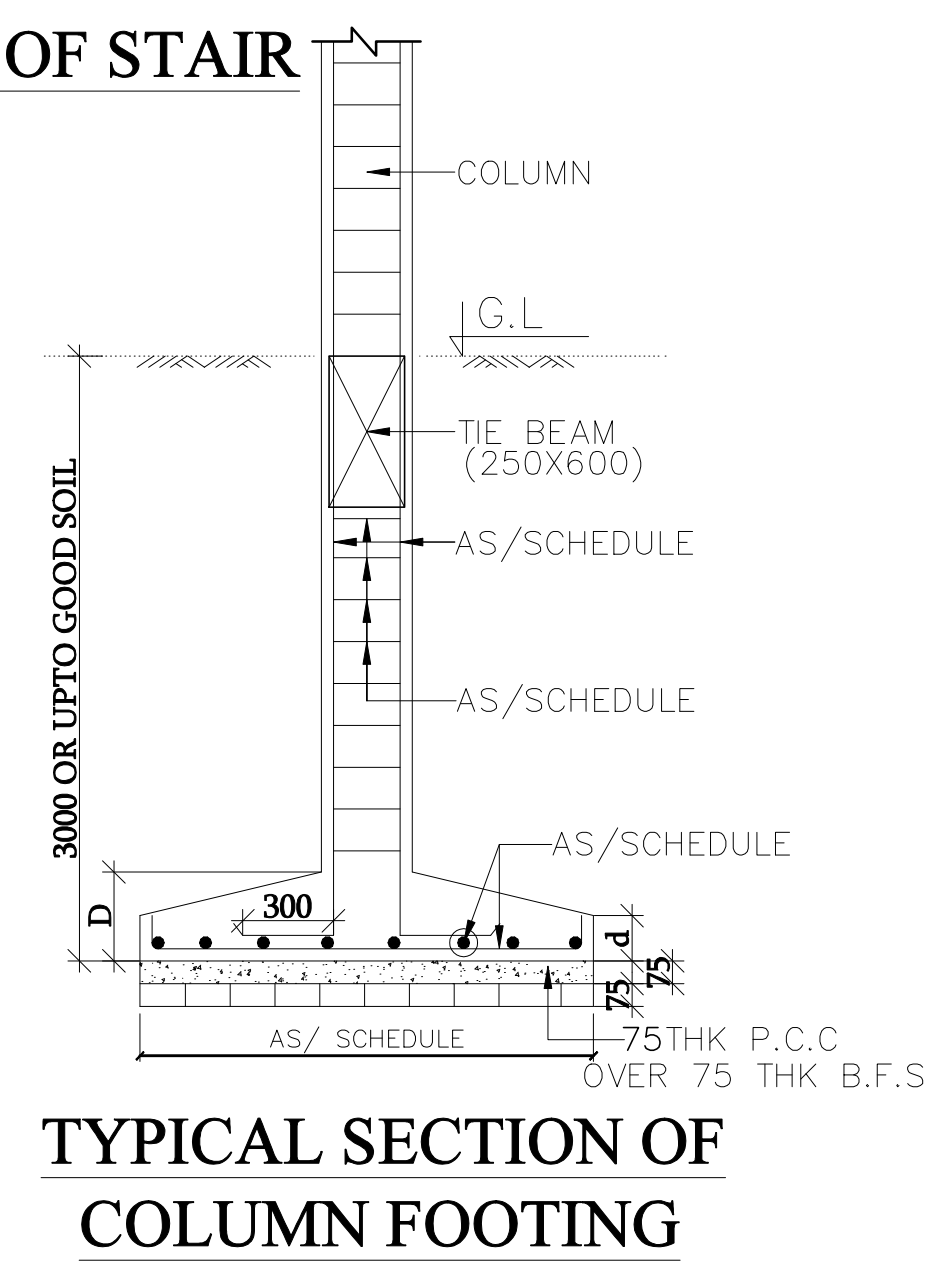
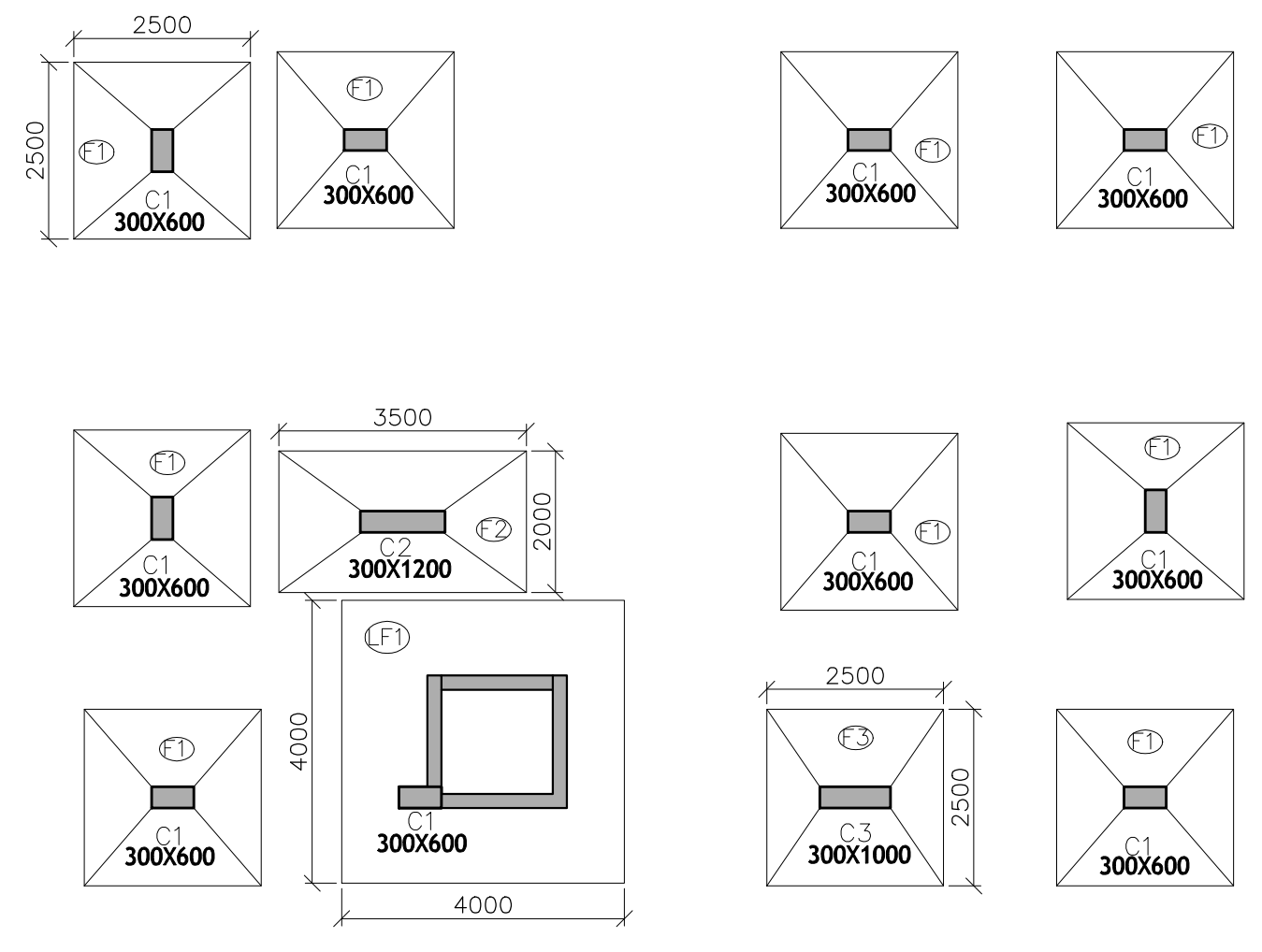
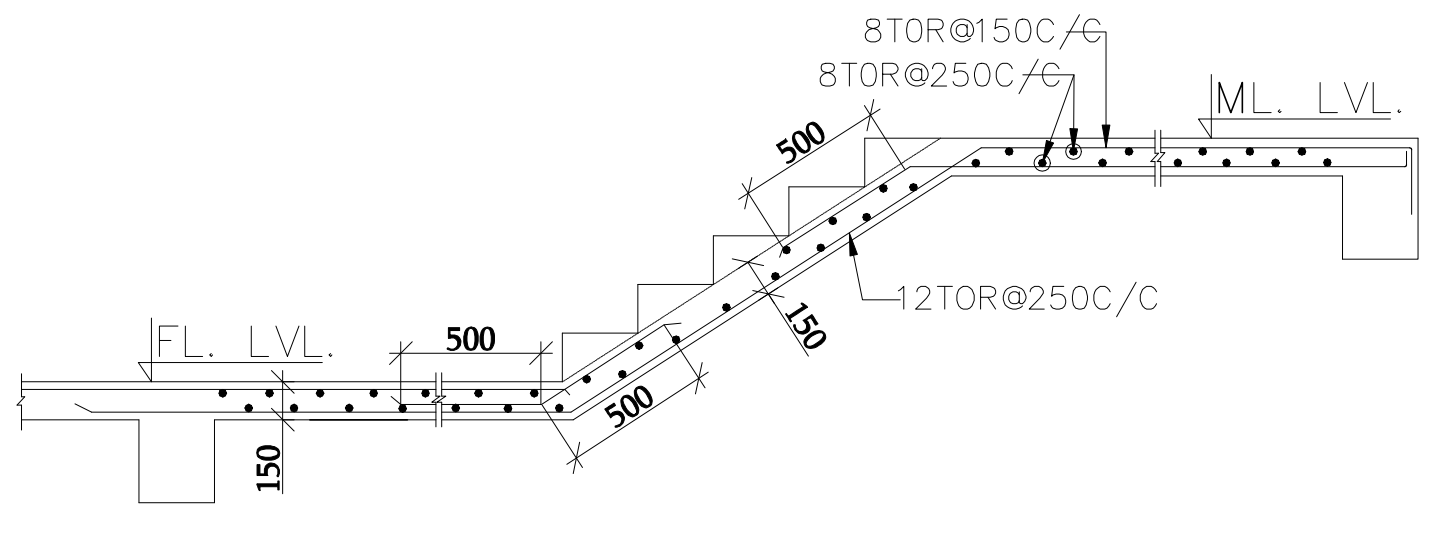
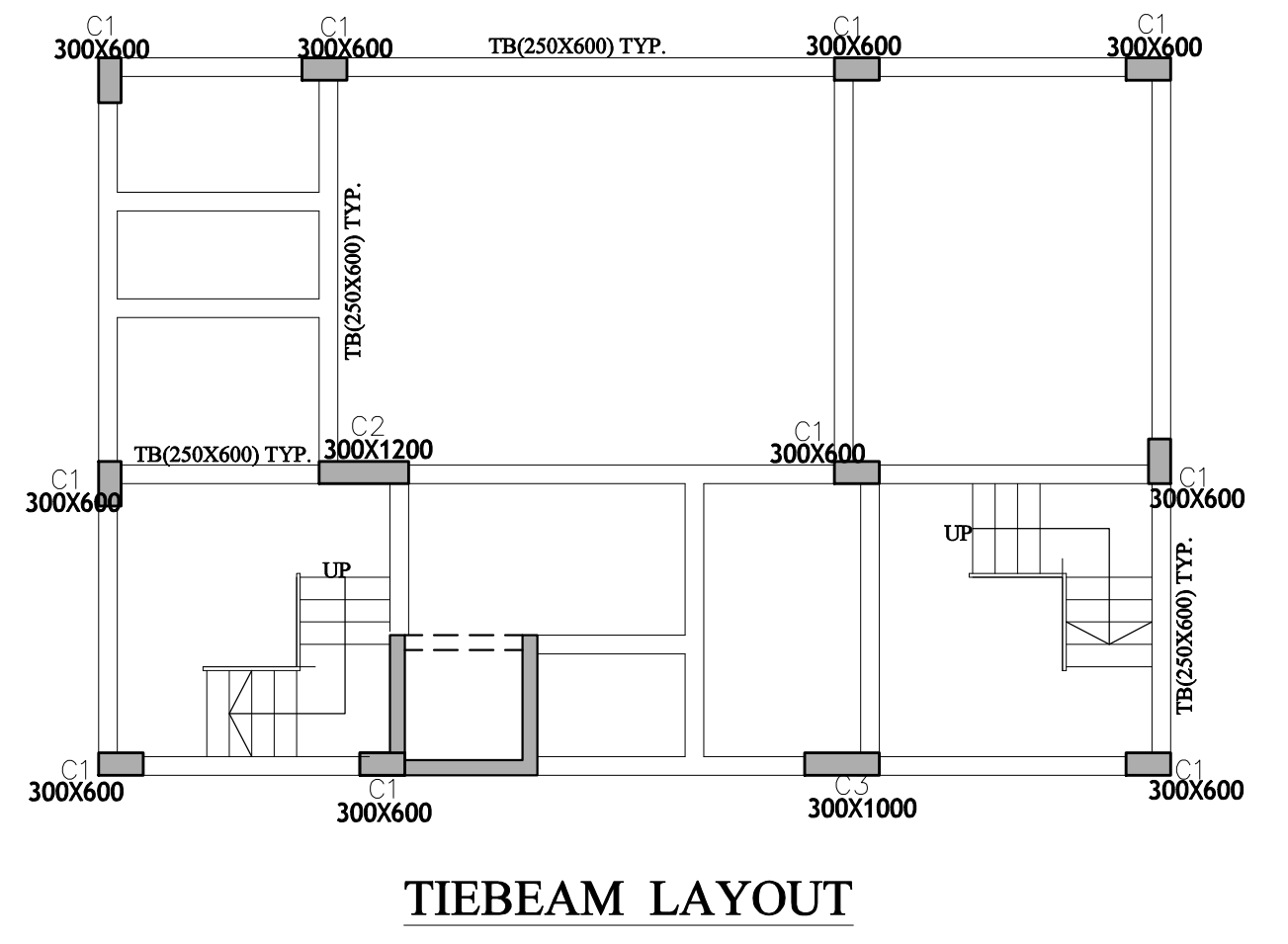
| BEAM SCHEDULE | | | | | | | | | |
|-----------------------|---------|------------------------|-----------------|----------------|-----------------|-------------------------|-----------------|--------------|--------------|
| GRADE OF CONG. - M-25 | | | | | | | | | |
| BEAM MKD. | SIZE | REINF. AT LEFT SUPPORT | | REINF. AT SPAN | | REINF. AT RIGHT SUPPORT | | STIRRUPS | |
| | | TOP | BOTT. | TOP | BOTT. | TOP | BOTT. | SUPPORT | SPAN |
| B1 | 250X600 | 5-20TOR | 3-20TOR | 2-20TOR | 3-20TOR+2-16TOR | 5-20TOR | 3-20TOR | 2L-T8@100C/C | 2L-T8@200C/C |
| B2 | 250X600 | 3-20TOR | 3-20TOR | 3-20TOR | 3-20TOR | 3-20TOR | 3-20TOR | 2L-T8@100C/C | 2L-T8@100C/C |
| B3 | 250X600 | 4-20TOR+2-16TOR | 4-16TOR+1-12TOR | 2-20TOR | 4-16TOR+1-12TOR | 4-20TOR+2-16TOR | 4-16TOR+1-12TOR | 2L-T8@100C/C | 2L-T8@200C/C |
| B4 | 250X600 | 5-25TOR | 4-16TOR+1-20TOR | 2-25TOR | 4-16TOR+1-20TOR | 5-25TOR | 4-16TOR+1-20TOR | 2L-T8@100C/C | 2L-T8@200C/C |
| B5 | 250X600 | 3-16TOR | 3-20TOR | 3-16TOR | 5-20TOR | 3-16TOR | 5-20TOR | 2L-T8@100C/C | 2L-T8@150C/C |
| B6 | 250X600 | 3-16TOR | 3-16TOR | 3-16TOR | 3-16TOR | 3-16TOR | 3-16TOR | 2L-T8@150C/C | 2L-T8@150C/C |
| B7 | 250X600 | 2-16TOR | 2-16TOR | 2-16TOR | 2-16TOR | 2-16TOR | 2-16TOR | 2L-T8@150C/C | 2L-T8@150C/C |
| B8 | 250X600 | 2-16TOR | 2-16TOR | 2-16TOR | 2-16TOR | 2-16TOR | 2-16TOR | 2L-T8@150C/C | 2L-T8@150C/C |

| SLAB SCHEDULE | | |
|-------------------------|-------|--------------------------------------|
| GRADE OF CONCRETE - M25 | | |
| SLAB MKD | DEPTH | REINF. AT SHORTER SPAN |
| S1 | 175 | 10TOR@125C/C (T) 10TOR@125C/C (B) |
| S2 | 175 | 10TOR@125C/C (T) 10TOR@125C/C (B) |
| S3 | 175 | 10TOR@125C/C (T) 10TOR@125C/C (B) |
| S4 | 150 | 8TOR@150C/C |
| S5 | 150 | 8TOR@150C/C |
| S6 | 175 | 10TOR@200C/C (T) 10TOR@125C/C (B) |

| COLUMN SCHEDULE | | | |
|-------------------------|------------|--------------|--------------|
| GRADE OF CONCRETE - M30 | | | |
| FLOOR | TO ROOF | TO 2ND FLOOR | TO 1ST FLOOR |
| 5TH FLOOR TO ROOF | 16-20TOR | 26-20TOR | 22-20TOR |
| 2ND FLOOR TO 5TH FLOOR | 16-20TOR | 26-20TOR | 22-20TOR |
| 1ST FLOOR TO 2ND FLOOR | 16-20TOR | 26-20TOR | 22-20TOR |
| FOUNDATION TO 1ST FLOOR | 16-20TOR | 26-20TOR | 22-20TOR |
| COL SIZE | 300X600 | 300X1200 | 300X1000 |
| LINK | 8TOR@75C/C | AND | 8TOR@125C/C |
| COL MARKED | C1 | C2 | C3 |



| FOOTING SCHEDULE | | | | | | |
|-------------------------|-----------|-----------|-----|----------|--|---------------------------------------|
| GRADE OF CONCRETE - M25 | | | | | | |
| FOOTING MKD. | SIZE | THICKNESS | | PADESTAL | REINFORCEMENT AT SHORTER DIRECTION (a) | REINFORCEMENT AT LONGER DIRECTION (b) |
| | | D | d | | | |
| F1 | 2500X2500 | 650 | 325 | --- | 12TOR@100C/C | 12TOR@100C/C |
| F2 | 3500X2000 | 750 | 375 | --- | 12TOR@100C/C | 12TOR@100C/C |
| F3 | 2500X2500 | 650 | 325 | --- | 12TOR@100C/C | 12TOR@100C/C |
| LF1 | 4000X4000 | 650THK. | --- | --- | T12@100 C/C (T&B) | T12@100 C/C (T&B) |



NOTES:-

- ALL DIMENSIONS ARE IN MM. UNLESS OTHERWISE MENTIONED.
- ANY AMBIGUITY IN THE DRAWINGS SHOULD BE IMMEDIATELY BROUGHT TO THE NOTICE OF THE CONSULTANT BEFORE COMMENCING THE WORK.
- SUPER STRUCTURE : SUPER STRUCTURE SHALL BE OF 1ST CLASS BRICK IN 1:6 CEMENT MORTAR.
- THIS DRAWING IS TO BE READ ALONG WITH ALL RELEVANT ARCHITECTURAL DRAWINGS.
- ALL GRADE OF CONCRETE - M25
- ALL MATERIALS SHALL CONFORM TO RELEVANT IS CODES.
- FOR STEEL GRADE Fe 500 AS PER IS 1786-1979.
- ALL DISTRIBUTION BARS ARE 8 @ 250 C/C AND TO BE PROVIDED WHEREVER REQUIRED.
- ALL CHAIRS ARE 10@ AND TO BE PROVIDED WHEREVER REQUIRED.
- ALL SPACER BARS ARE 25 @ 300 C/C AND TO BE PROVIDED WHEREVER REQUIRED.
- LAPS, SPLICES & BOND LENGTH SHOULD BE 50 D WHERE 'D' IS THE SMALLEST BAR DIA.
- FOUNDATION & PLINTH : BRICKWORK IN FOUNDATION & PLINTH SHALL BE OF 1ST CLASS BRICK IN 1:6 CEMENT MORTAR.
- MINIMUM CLEAR COVER TO REINFORCEMENT IS AS FOLLOWS:

| MEMBER | TOP | BOTTOM | SIDE |
|---------------------------|-----|--------|------|
| a. FOUNDATION BEAM & SLAB | 50 | 50 | 50 |
| b. COLUMN | | | 40 |
| c. FLOOR BEAM | 30 | 30 | 30 |
| d. TIE BEAM | 30 | 30 | 30 |
| e. FLOOR SLAB | 20 | 20 | 20 |

14. THIS DRAWING IS THE PROPERTY OF M/S S.P.A CONSULTANT AND CANNOT BE COPIED OR USED WITHOUT THEIR WRITTEN PERMISSION.

SCHEDULE OF LAND

1. MOUZA - DABGRAM
2. I.L. NO - 02
3. PLOT NO. - 13, 139, 150, 151, 160(L.R.)
- IN SHEET NO. - 38
4. PLOT NO. - 586/682 (R.S.)
- IN SHEET NO. - 8
5. KHATAN NO. - 422 (L.R.)
- KHATAN NO. - 477/1 (R.S.)
8. P.S. - BHAKTINAGAR
9. DIST. - JALPAIGURI

CERTIFICATE OF ARCHITECT

I DO HEREBY CERTIFY WITH FULL RESPONSIBILITY THAT THE BUILDING PLAN HAS BEEN DRAWN UP AS PER PROVISION OF S.M.C. BUILDING RULES OF 2009 AS AMENDED TIME THAT THE WIDTH OF THE ADJOINING ROADS CONFORM WITH THE BUILDING PLAN AND IT IS NOT A TANK OR A FILLED UP TANK. THE SITE IS DEMARKED BY BOUNDARY WALLS AND MEASUREMENT AGREED WITH THE DEED PLAN. IT IS FULLY OCCUPIED BY THE OWNER.

SIGN. OF ARCHITECT

CERTIFICATE OF OWNER

THIS IS TO CERTIFY THAT THE STRUCTURAL DESIGN & DRAWINGS OF BOTH FOUNDATION AND SUPER-STRUCTURE OF THE BUILDING HAS BEEN MADE BY ME CONSIDERING ALL POSSIBLE LOADS INCLUDING THE SEISMIC LOAD AS PER NATIONAL BUILDING CODE OF INDIA AND CERTIFIED THAT IT IS SAFE AND STABLE WITH ALL RESPECTS.

SIGNATURE OF OWNER

CERTIFICATE OF STRUCTURAL ENGINEER

THIS IS TO CERTIFY THAT THE STRUCTURAL DESIGN & DRAWINGS OF BOTH FOUNDATION AND SUPER-STRUCTURE OF THE BUILDING HAS BEEN MADE BY ME CONSIDERING ALL POSSIBLE LOADS INCLUDING THE SEISMIC LOAD AS PER NATIONAL BUILDING CODE OF INDIA AND CERTIFIED THAT IT IS SAFE AND STABLE WITH ALL RESPECTS.

SIGNATURE OF STRUCTURAL ENGINEER

SANJIV J. PAREKH
M.E. (STRUC.) PCCGM.C (ENG.)-1
MSCE ASCE AM-053212
E.S.E-A-13 S.M.C.

SIGNATURE OF GEO-TECH. ENGINEER

PROJECT

PROPOSED (B+G+VII) STORED RESIDENTIAL CUM COMMERCIAL BUILDING OF SIDHI VINAYAK BUILDERS AT PRANAMI MANDIR ROAD, JYOTI NAGAR, P.O. SILIGURI, P.S. BHAKTINAGAR, DIST. JALPAIGURI.

TITLE -

STRUCTURAL DRAWING FOR CORPORATION (BLOCK-2)

ARCHITECT -

Mass & Void Architect & Interior Consulting
36, Christopher Road,
4th Floor, The Estate Hibiscus,
Kolkata-700 046, P. 033 2328 2264
E. Mass&Void@gmail.com, W. www.massandvoid.com

STRUCTURAL ENGINEERS

S.P.A. CONSULTANTS
34, RAM MOHAN BUIYA ROAD
CALCUTTA - 700020
PH. NO. 2485-5448/9, 2475-7614, TELR. FAX
E-mail: spa_cons@yahoo.co.in

DRAWN BY Deya **CHECKED BY** DATE 14.09.2022 **SCALE** 1:100, 25

JOB NO. 2021/103/103 **M \$** V.S.P.A. **PRANAMI MANDIR (BL-2)**

DRG. NO. 2021/103/M\$V/S.P.A/P.MANDIR(BL-2) /CS-02

